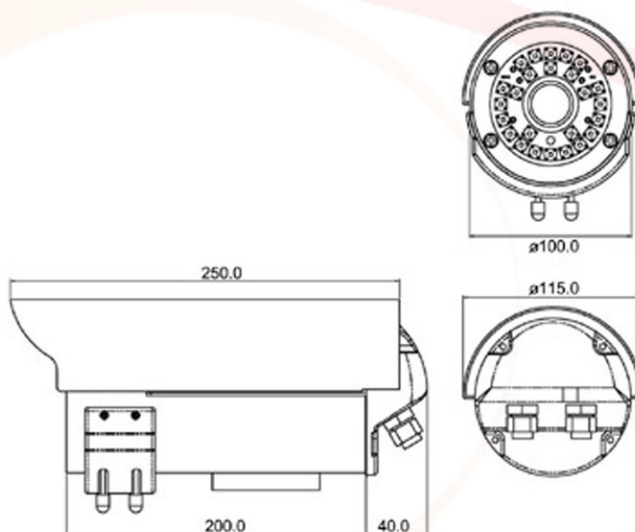


iIR550VFDNSN

1/3" Color High Resolution Weatherproof Vari-Focal IR Camera



Features

- 28 Hing Light LEDs: Radiant distance 25 meters(at least)
- Built-in Auto Iris Vari-Focal Lens
- 1/3" Sony CCD
- 550 TV Lines
- Focus of Lens is Adjusted by Outer Controller.
- Min. illumination of 0 Lux (IR ON)
- AWB/ATW
- BLC/AGC
- IP66 Waterproof Resistance
- Line Lock Function Available for Sony CCD Camera

1/3"
inch
CCD

550
TV
Lines

BLC

Min.
illumination
0.5

Switching
Power

IP66

Applications

Outdoor, Public place, Parking place, Office building, etc.

Specifications

Item	iIR550VFDNSN	
Description	1/3" Color High Resolution Weatherproof Vari-Focal IR Camera	
Pick up Element	Sony Super-Had CCD Image Sensor	
Number of Pixels	<NTSC> 768 (H) × 494 (V) <PAL>752(H) ×582 (V)	
Back Light Compensation	ON	
Line Lock	ON	
Auto Electronics Shutter	ON	
AGC	ON	
ATW	ON	
Sync. Mode	Internal Sync.	
Scanning System	2:1 Interlace	
Resolution	550TV Lines	
S/N Ratio	More than 48dB	
Gamma	0.45	
Minimum illumination	0.5 Lux, F 1.4 (0 Lux with IR)	
Infrared LED	Quantity	28
	Peak Wavelength	850nm
	Radiant Distance	25 meters(at least)
Horizontal Sync. Frequency	<NTSC> 15.734 KHz <PAL> 15.625KHz	
Video Output	1.0 Vp-p, 75 ohm	
Power Source	AC/DC(12~24)V or AC 99V~240V(Switching Power)	
Power Consumption	12W	
Operating Temperature	-10°C to +60°C	
IP Rating	IP66	
Lens Amount	4.0mm~9.0mm, F1.6 Auto Iris Vari-Focal Lens	
Shutter Control	<NTSC> 1/60-1/100,000 sec. <PAL> 1/50-1/110,000 sec.	
Dimension	280 (L) ×115(Ø) mm	
Net Weight	1.6kg	